

Tehničke karakteristike

Features	4DI/4DO 24VDC	8DI/8DO 24VDC	16DI/16DO 24VDC
Order No.	CTH2 223-1BF32	CTH2 223-1BH32	CTH2 223-1BL32
Physical Features			
Dimension (W×H×D)	46 × 96 × 62mm	71.3 × 96 × 62mm	138 × 96 × 62mm
Power loss			
Power loss	2W	3W	3W
+5VDC Current consumption	57mA	73mA	115mA
Input Features			
Input	4	8	16
Input type	Sink/ Source		
Input voltage			
Rated voltage	24VDC		
Max. voltage input	30VDC		
Surge voltage	35VDC, 0.5s		
Logical 1 Signal	15~30V		
Logical 0 Signal	0~5V		
Isolation			
Optical isolation	500VAC, 1 minute		
Isolated points per group	4	8	8
Max. input delay	4.5ms		
Max. leak current	1mA AC		
Maximum cable length			
Unshielded	300m		
Shielded	500m		
Simultaneous input			
40°C	4	8	16
50°C	4	8	16
Output Features			
Output	4	8	16
Output type	Solid MOSFET		
Voltage output			
Rated voltage	24VDC		
Voltage range	20.4~28.8VDC		
Logical 1 Signal	min. 20VDC		
Logical 0 Signal	max. 0.1VDC (10KΩ)		
Current output			
Logical 1 Signal	0.5A	0.5A	0.5A

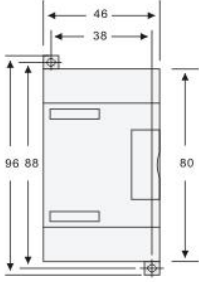
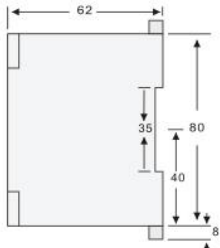
Output group	1	1	2
Output per group	4	8	8
Output number when "on"	4	8	16
Max. Current per group	2A	4A	4A
Lamp load	5W	5W	5W
Contact resistance	0.3Ω	0.3Ω	0.3Ω
Peak current (max)	10mA	10mA	10mA
Surgecurrent (max)	8A, 100ms	8A, 100ms	8A, 100ms
Isolation	Optical isolation, 500VAC, 1 minute		
Isolated number per group	4	4	4/4/8
Output delay (RL = 50Ω)			
Off - on	Max. 50ms		
On - off	Max. 200ms		
Maximum cable length			
Unshielded	150m		
shielded	500m		

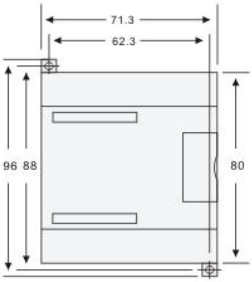
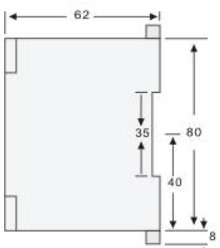
Features	4DI×24VDC 4DO×Relay	8DI×24VDC 8DO×Relay	16DI×24VDC 16DO×Relay
Order No.	CTH2 223-1HF32	CTH2 223-1PH32	CTH2 223-1PL32
Physical Features			
Dimension (W×H×D)	46 × 96 × 62mm	71.3 × 96 × 62mm	138 × 96 × 62mm
Power Consumption			
Power loss	2W	3W	6W
+5VDC current consumption	58mA	89mA	150mA
L+	9mA		
L+Coil voltage range	20.4 – 28.8VDC		
Input Features			
Input number	4	8	16
Input type	Sink/ Source		
Voltage input			
Rated voltage	24VDC		
Max. voltage	30VDC		
Surge current	35VDC, 0.5s		
Logical 1 Signal	15~30V		
Logical 0 Signal	0~5V		

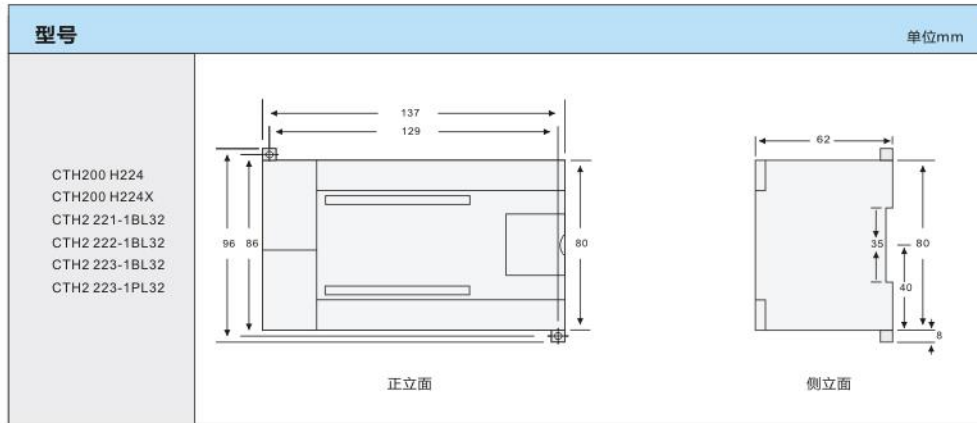
Isolation			
Optical isolation	500VAC, 1 minute		
Isolated number per group	4	4	8
Input delay	4.5ms		
Max. leakage current	1mA AC		
Maximum cable length			
Unshielded	300m		
Shielded	500m		
Simultaneous input			
40°C	4	8	16
50°C	4	8	16
Output Features			
Output number	4	8	16
Output type	Relay - dry contact		
Voltage output range	DC: 5~30V, AC: 5~250V		
Current output			
Logical 1 Signal	2A	2A	2A
Output group	1	2	4
Output number per group	4	4	4
Simultaneous input	4	8	16
Max. Current per group	8A	8A	8A
Lamp load	DC: 30W, AC: 200W	DC: 30W, AC: 200W	DC: 30W, AC: 200W
Contact resistance	0.2Ω	0.2Ω	0.2Ω
Surgecurrent (max)	7A, when contact off	7A, when contact off	7A, when contact off
Short-circuit protection	External provision	External provision	External provision
Isolation			
Isolated number per group	4		
Between coil and logic power	---		
Between coil and contacts	1500VAC, 1 minute		
Resistance (between coil and contacts)	Min. 100MΩ		
Relay Features			

Switch delay	15ms
Switch frequency (max)	1Hz
Machine switching times	30,000,000
Contact service time (rated load)	300,000
Maximum cable length	
Unshielded	150m
Shielded	500m

Dimenzije

型号		单位mm	
CTH2 221-1BF32 CTH2 222-1BF32 CTH2 222-1HF32 CTH2 223-1BF32 CTH2 223-1HF32 CTH2 232-0HB32		 <p>正立面</p>	 <p>侧立面</p>

型号		单位mm	
CTH2 221-1BH32 CTH2 222-1BH32 CTH2 222-1HH32 CTH2 223-1BH32 CTH2 223-1PH32 CTH2 231-0HC32 CTH2 235-0KD32 CTH2 231-0HF32 CTH2 231-7HB32 CTH2 231-7HC32 CTH2 231-7PB32 CTH2 231-7PC32	CTH2 231-7PD32 CTH2 231-7PF32 CTH2 231-7TF32 CTH2 231-7TD32 CTH2 231-7ND32 CTH2 231-7NF32 CTH2 231-7WA32 CTH2 232-0HD32 CTH2 277-0AA32 CTH2 277-0AB32 CTH2 253-1BH32	 <p>正立面</p>	 <p>侧立面</p>



Šema spajanja

