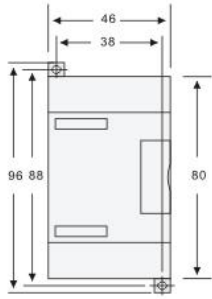
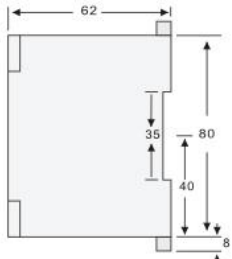
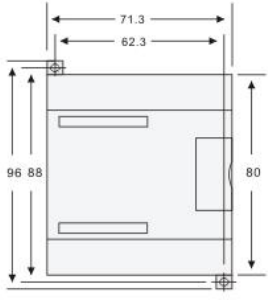
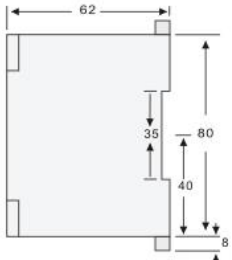


## Tehničke karakteristike

Features	SM232: 2 AQ × 12bit	SM232: 4 AQ × 12bit
Order No.	CTH2 232-0HB32	CTH2 232-0HD32
<b>Physical Features</b>		
Dimension (W×H×D )	46 × 96 × 62mm	71.3 × 96 × 62mm
LED indicator	24V Power supply Good: ON = no fault, OFF = no power	
<b>Power Consumption</b>		
+5VDC power loss	87mA	87mA
L+	61mA	112mA
L+Coil voltage range	20.4 ~ 28.8VDC	
Power Consumption	2W	2W
<b>Analog output features</b>		
Output number	2	4
Isolated (Analog to digital)	Optical isolation: 500VAC, 1 minute	
<b>Output range</b>		
Voltage output	±10V	
Current output	0 ~ 20mA	
<b>Resolution ratio output</b>		
Voltage output	12bit	
Current output	11bit	
<b>Data format</b>		
Voltage output	-32000 ~ +32000	
Current output	0 ~ 32000	
Measurement error	normal status: full scale ±0.5%; bad status: full scale ±2%	
<b>Stabilization time</b>		
Voltage output	100µs	
Current output	2ms	
<b>Max drive 24V power supply</b>		
Voltage output	Min. 5000Ω	
Current output	Max. 500Ω	

# Dimenzije

型号		单位mm	
CTH2 221-1BF32 CTH2 222-1BF32 CTH2 222-1HF32 CTH2 223-1BF32 CTH2 223-1HF32 CTH2 232-0HB32		 <p>正立面</p>	 <p>侧立面</p>

型号		单位mm	
CTH2 221-1BH32 CTH2 222-1BH32 CTH2 222-1HH32 CTH2 223-1BH32 CTH2 223-1PH32 CTH2 231-0HC32 CTH2 235-0KD32 CTH2 231-0HF32 CTH2 231-7HB32 CTH2 231-7HC32 CTH2 231-7PB32 CTH2 231-7PC32	CTH2 231-7PD32 CTH2 231-7PF32 CTH2 231-7TF32 CTH2 231-7TD32 CTH2 231-7ND32 CTH2 231-7NF32 CTH2 231-7WA32 CTH2 232-0HD32 CTH2 277-0AA32 CTH2 277-0AB32 CTH2 253-1BH32	 <p>正立面</p>	 <p>侧立面</p>

# Šema spajanja

