

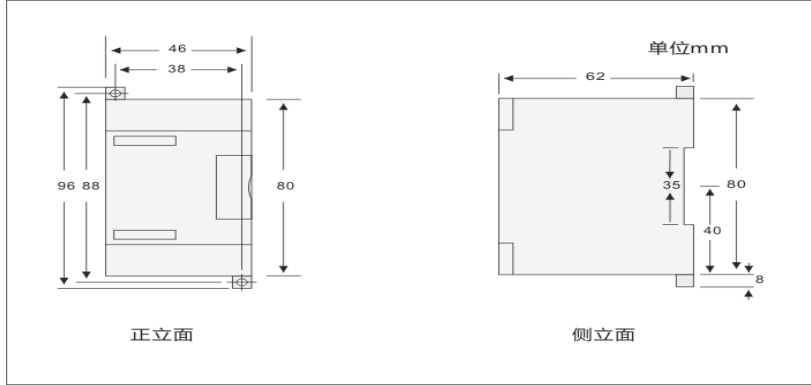
Tehničke specifikacije

Description	EM221 DI 8×24V DC	EM221 DI 16×24V DC	EM221 DI 32×24V DC
Physical Size			
Dimensions(W×H×D)	46×80×62mm	71.2×80×62mm	138×80×62mm
Power dissipation	2W	3W	3W
Input Features			
Number of integrated inputs	8	16	32
Input type	Sink/Source(IEC Type 1 sink)		
Input Voltage			
Maximum continuous permissible	30 VDC		
Surge	35 VDC, 0.5 s		
Rated value	24 VDC, 4 mA		
Logic 1 signal(minimum)	15 VDC, 2.5 mA		
Logic 0 signal(maximum)	5 VDC, 1mA		
Isolation(Field Side to Logic Circuit)			
Optical isolation(Galvanic)	500 VAC, 1 minute	500 VAC, 1 minute	500 VAC, 1 minute
Isolation groups of	4 points	4 points	8 points
Maximum input delay times	4.5ms	4.5ms	4.5ms
Connection of 2 Wire Proximity Sensor(Bero)			
Permissible leakage current	1 mA, maximum	1 mA, maximum	1 mA, maximum
Cable Length			
Unshielded(not HSC)	300 m	300 m	300 m
Shielded	500 m	500 m	500 m
Number of inputs ON Simultaneously			
40°C	8	16	32
50°C	8	16	32
Power Consumption			

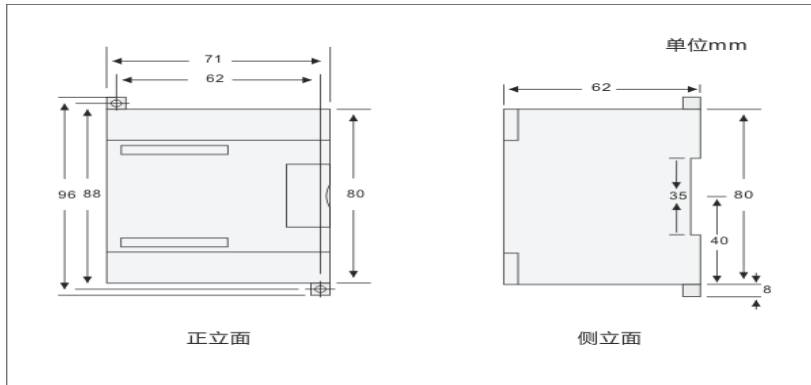
From +5V DC(from I/O bus)	30 mA	30 mA	30 mA
---------------------------	-------	-------	-------

Dimenzije

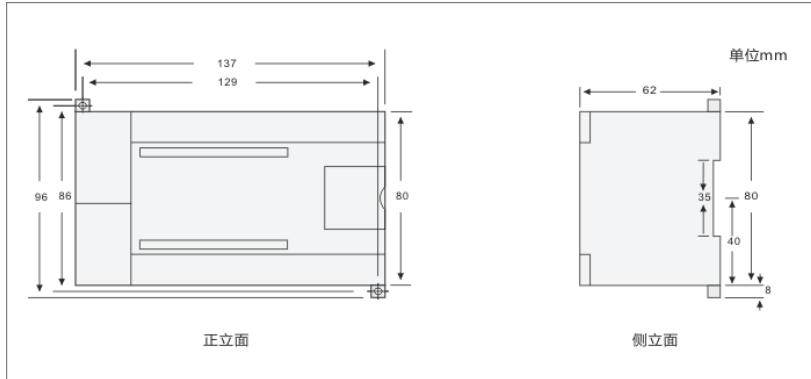
1. CTS7 221-1BF32



2.CTS7 221-1BH32

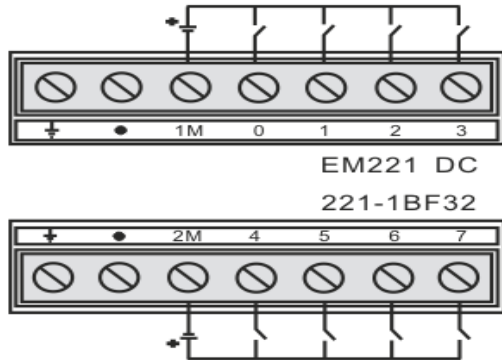


1. 3.CTS7 221-1BL32

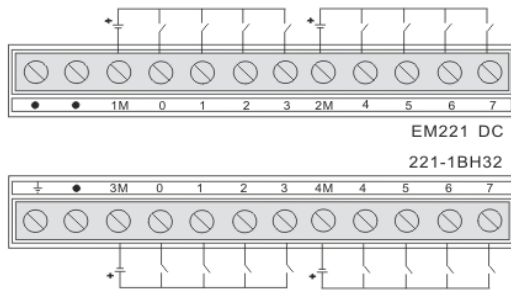


Šema povezivanja

CTS7 221-1BF 输入模块

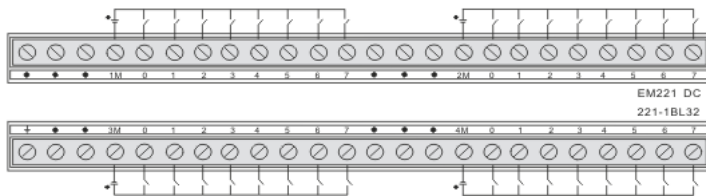


CTS7 221-1BH 输入模块



2.

CTS7 221-1BL 输入模块



3.