

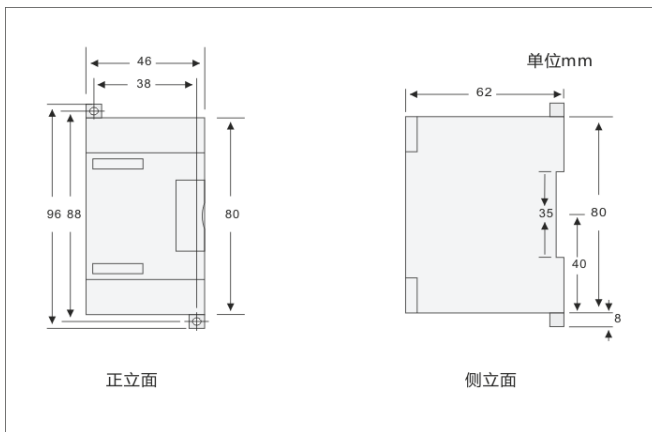
### Tehničke specifikacije

Description	EM222, 8DO×RELAY	EM222,16DO×RELAY
Physical Features		
Dimensions (W×H×D)	46×80×62mm	71.2×80×62mm
Power loss (dissipation)	2W	3W
Output Features		
Number of integrated outputs	8	16
Output type	Relay, dry contact	
Output Voltage	DC : 5 ~ 30V , AC : 5 ~ 250V	
Output Current		
Logic 1 signal	2A	0.5A
Number of output groups	2	4
Per group mounting (maximum)	4	4
Number of output ON (maximum)	8	16
Maximum current per group	8A	8A
Lamp load	5W	5W
contact resistance	0.2 ohm	0.2 ohm
Surge current	8A for 100ms, maximum	7A with contacts closed
Overload protection	No	No
Isolation		
In group of	4 points	
Isolation coil to contact	1500 VAC for 1minute	
Isolation between open contacts	750 V AC for 1 minute	
Isolation resistance	100M ohm, minimum when new	
Relay Features		
Switch delay	15ms, maximum	
Switch Frequency	1HZ	
Lifetime mechanical (no load)	10,000,000 open/close cycles	
Lifetime contacts at rated load	100,000	

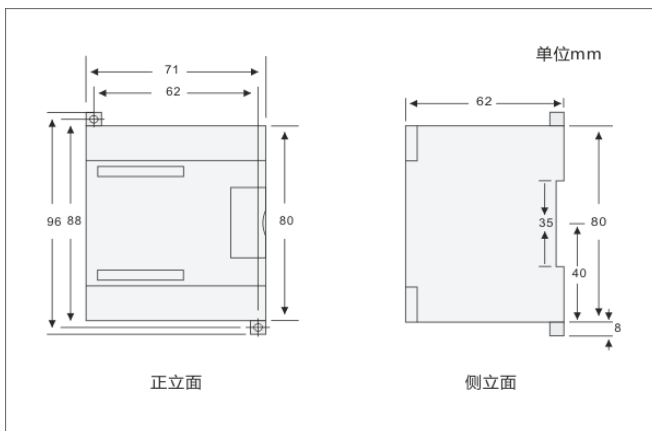
Cable Length	
Unshielded	150 m
Shielded	500 m
Power Consumption	
From +5V(from I/O bus)	40 mA
From L+	9 mA per output when ON
L+ coil power voltage range	20.4 to 28.8 VDC

### Dimenzije

#### 1. CTS7 222-1HF32

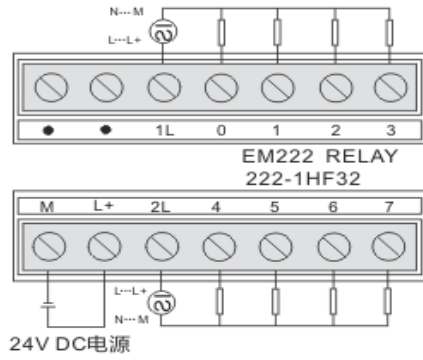


#### 2.CTS7 222-1HH32

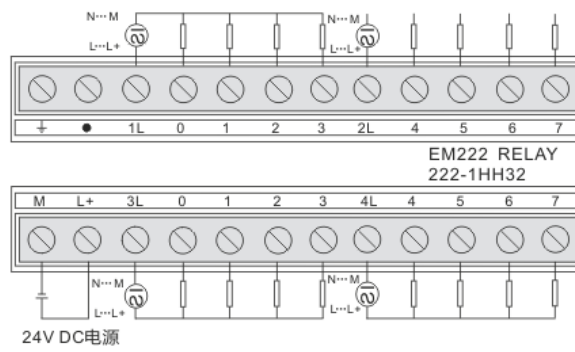


### Wiring Diagram

## CTS7 222-1HF 继电器输出模块



## CTS7 222-1HH 继电器输出模块



2.

3.