

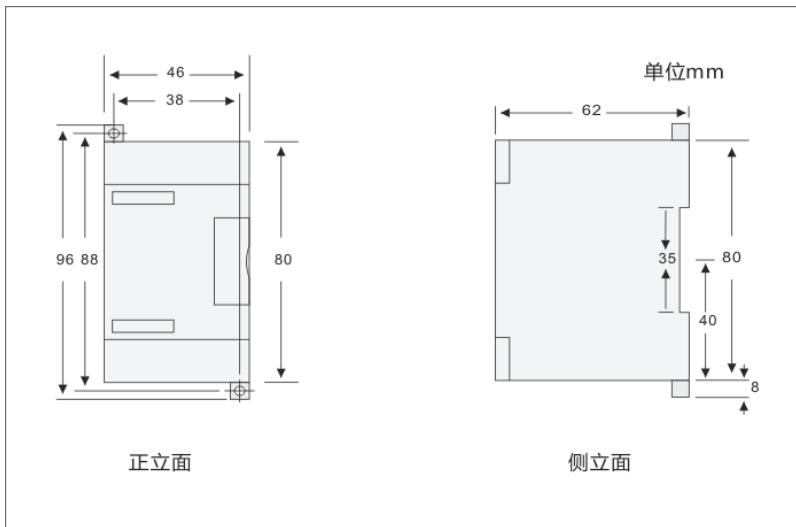
Tehničke specifikacije

Description	EM222, 8DO×DC 24V	EM222, 16DO×DC 24V	EM222, 32DO×DC 24V
Physical Features			
Dimensions(W×H×D)	46×80×62mm	71.2×80×62mm	138×80×62mm
Power loss(dissipation)	2W	3W	5W
From +5V (from I/O bus)	50 mA		
Output Features			
Number of integrated outputs	8 outputs	16 outputs	32 outputs
Output type	Solid State-MOSFET		
Output voltage			
Rated Value	24V DC		
Permissible Range	20.4~28.8V DC		
Logic 1 signal at maximum current	20V DC, minimum		
Logic 0 signal with 10 kohm load	0.1VDC, maximum		
Output Current			
Logic 1 signal	0.5A		
Number of output groups	2	2	6
Per group mounting (maximum)	4	8	4/8
Number of output ON (maximum)	8	16	32
Maximum current per group	2A	4A	2/4A
Lamp load	5W	5W	5W
contact resistance	0.3 ohm	0.3ohm	0.3ohm
Leakage current per point	10µA, maximum	10µA,maximum	10µA,maximum
Surge current	8A , 100ms	8A , 100ms	8A , 100ms

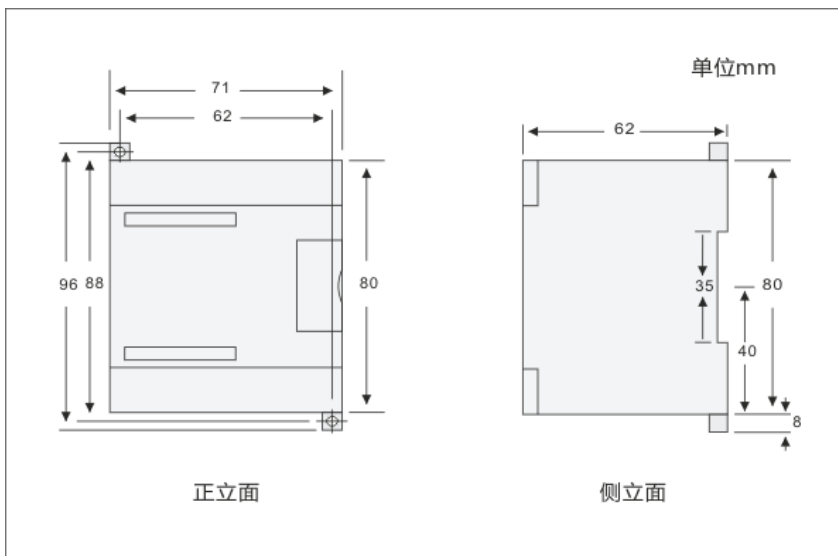
Isolation	500V AC for 1 minute		
In group of	4 points	8 points	4/8 points
Output Delay			
Off to On	50 μ s, maximum		
On to Off	200 μ s, maximum		
Cable Length			
Unshielded	150 m		
Shielded	500 m		

Size Diagram

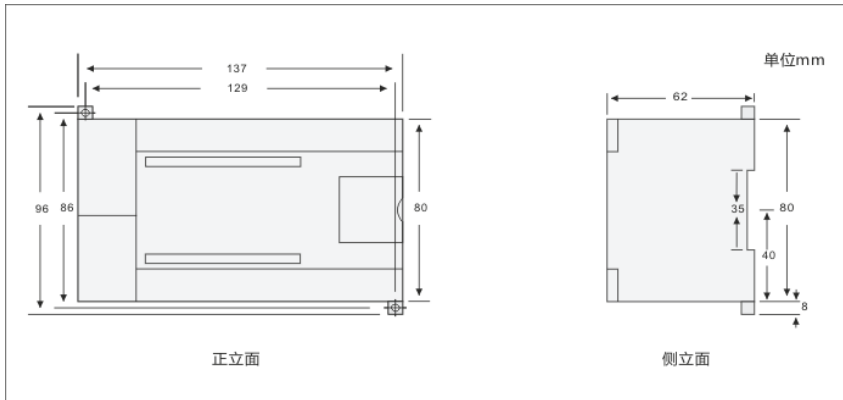
1.CTS7 222-1BF32



2.CTS7 222-1BH32

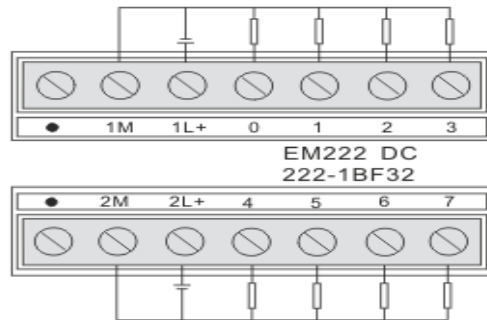


3.CTS7 222-1BL32

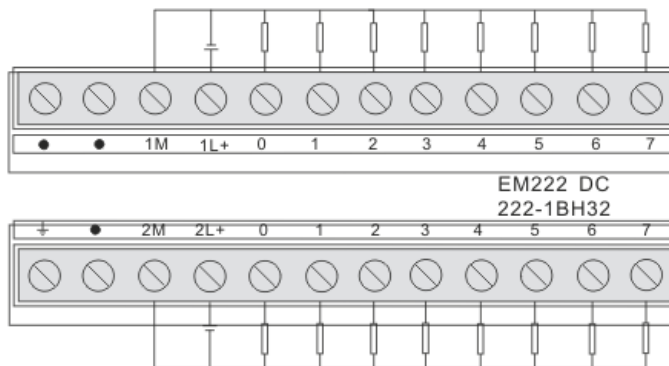


Wiring Diagram

CTS7 222-1BF 晶体管输出模块



CTS7 222-1BH 晶体管输出模块



CTS7 222-1BL 晶体管输出模块

