

Tehničke specifikacije

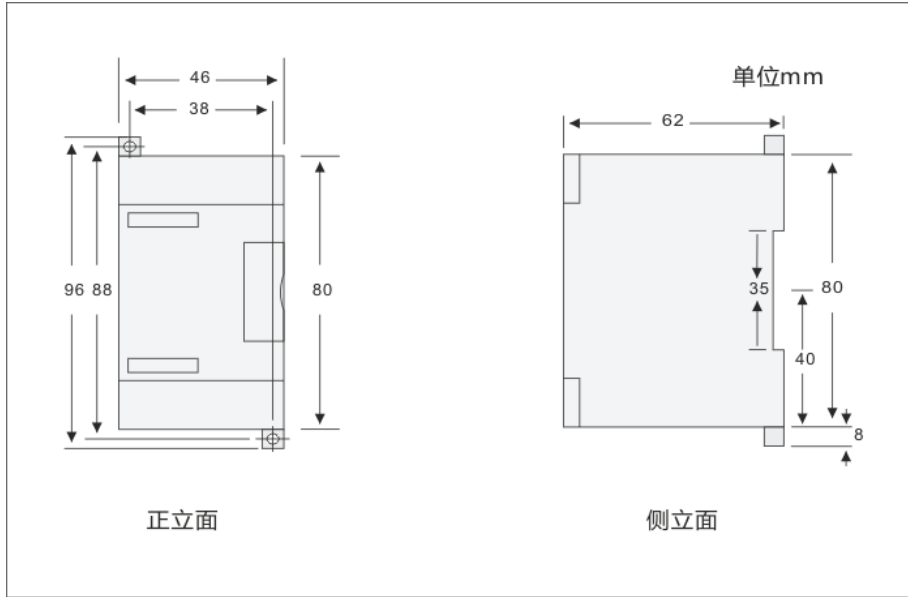
Performance Parameters

Specifictaion	EM223 4 DI / 4 DO, RELAY	EM223 8 DI / 8 DO, RELAY	EM223 16 DI / 16 DO, RELAY
Physical Features			
Dimensions(W×H×D)	46×80×62mm	71.2×80×62mm	138×80×62mm
Power loss(dissipation)	2W	3W	5W
From +5V (from I/O bus)	40 mA	80 mA	160 mA
Input Features			
Number of integrated inputs	4 inputs	8 inputs	16 inputs
Input type	Sink/Source(IEC Type 1 sink)		
Input Voltage			
Maxumum continuous permissible	30 VDC		
Surge	35 VDC for 0.5 s		
Rated value	24 VDC at 4 mA, nominal		
Logic 1 signal(minimum)	15 VDC at 2.5 mA, minimum		
Logic 0 signal(maximum)	5 VDC ata 1mA, maximum		
Isolation(Field Side to Logic Circuit)			
Optical isolation(Galvanic)	500 VAC for 1 minute		
Isolation groups of	4 points	4 points	8 points
Maximum input delay times	4.5ms		
Connection of 2 Wire Proximity Sensor(Bero)			
Permissible leakage current	1 mA, maximum		
Cable Length			
Unshielded(not HSC)	300 m	300 m	300 m
Shielded	500 m	500 m	500 m
Number of inputs ON Simultaneously			

40°C	4	8	16
50°C	4	8	16
Output Features			
Number of integrated outputs	4	8	16
Output type	Relay, dry contac		
Output Voltage	DC: 5~30V, AC: 5~250V		
Output Current			
Logic 1 signal	2A		
Number of output groups	2		
Per group mounting (maximum)	4		
Number of output ON	8		
(maximum)	8A		
Maximum current per group	5W		
Lamp load	0.2 ohm		
contact resistance	8A for 100ms, maximum		
Surge current	No		
Overload protection			
Isolation			
In group of	4 points		
Isolation coil to contact	1500 VAC for 1minute		
Isolation between open	750 V AC for 1 minute		
contacts	100M ohm, minimum when new		
Isolation resistance			
Relay Features			
Switch delay	15ms, maximum		
Switch Frequency	1HZ		
Lifetime mechanical (no load)	20,000,000 open/close cycles		
Lifetime contacts at rated load	300,000		
Cable Length			
Unshielded	150 m		
Shielded	500 m		
Power Consumption			
From +5V(from I/O bus)	40 mA	80 mA	160 mA
From L+	9 mA per output when ON		
L+ coil power voltage range	20.4 - 28.8V DC		

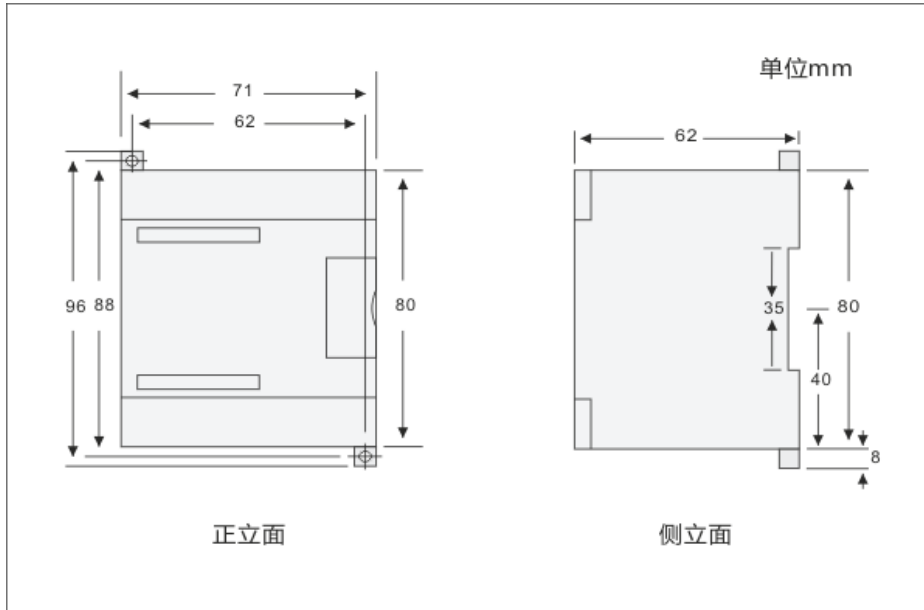
Dimenzije

1. 1.CTS7 223-1HF32



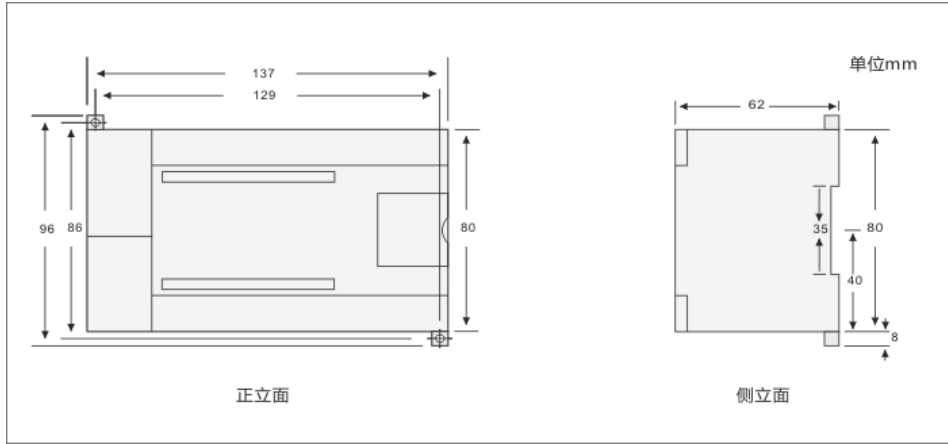
2.
3.

2.CTS7 223-1PH32

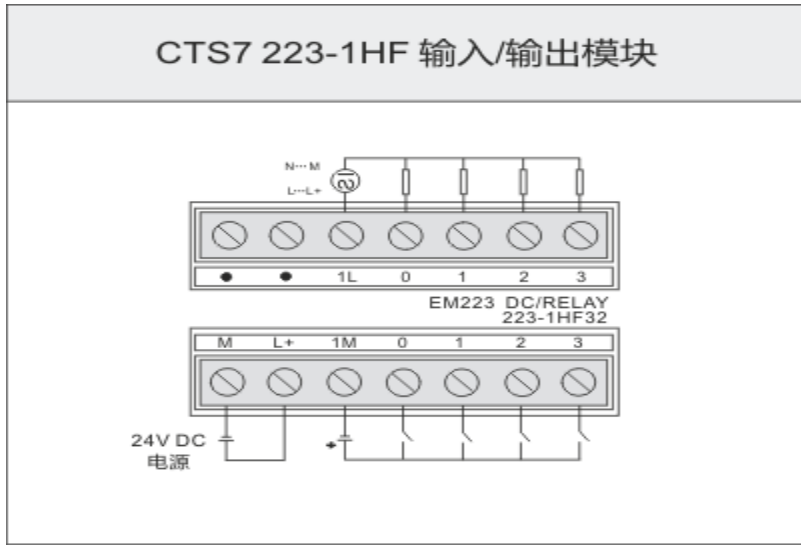


4.

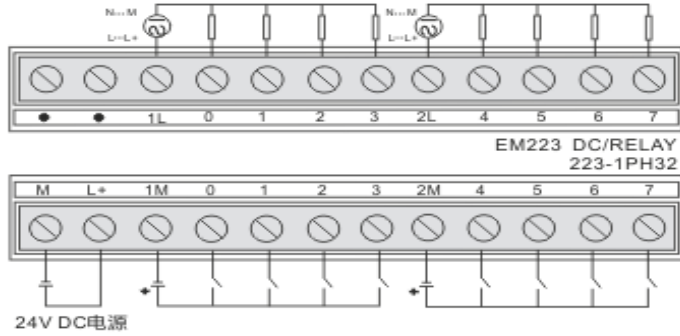
3.CTS7 223-1PL32



Šema spajanja



CTS7 223-1PH 输入/输出模块



CTS7 223-1PL 输入输出模块

