

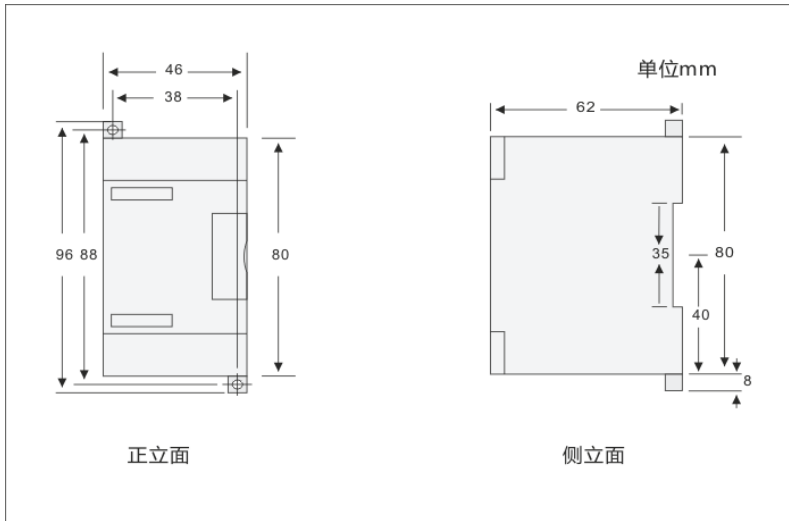
Tehničke specifikacije

Specifictaion	EM223 4 DI / 4 DO, 24V DC	EM223 8 DI / 8 DO, 24V DC	EM223 16 DI / 16 DO, 24V DC
Physical Features			
Dimensions(W×H×D)	46×80×62mm	71.2×80×62mm	138×80×62mm
Power loss(dissipation)	2W	3W	5W
From +5V (from I/O bus)	40 mA	80 mA	160 mA
Input Features			
Number of integrated inputs	4 inputs	8 inputs	16 inputs
Input type	Sink/Source(IEC Type 1 sink)		
Input Voltage			
Maxumum continuous permissible	30 VDC		
Surge	35 VDC for 0.5 s		
Rated value	24 VDC at 4 mA, nominal		
Logic 1 signal(minimum)	15 VDC at 2.5 mA, minimum		
Logic 0 signal(maximum)	5 VDC ata 1mA, maximum		
Isolation(Field Side to Logic Circuit)			
Optical isolation(Galvanic)	500 VAC for 1 minute		
Isolation groups of	4 points	4 points	8 points
Maximum input delay time	4.5ms		
Connection of 2 Wire Proximity Sensor(Bero)			
Premissible leakage current	1 mA, maximum		
Cable Length			
Unshielded(not HSC)	300 m	300 m	300 m
Shielded	500 m	500 m	500 m
Number of inputs ON Simultaneously			
40°C	4	8	16

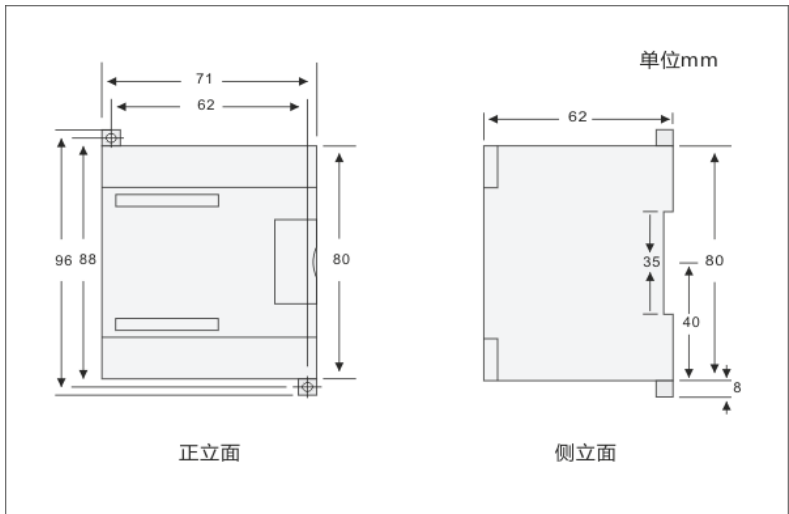
50°C	4	8	16
Output Features			
Number of integrated outputs	4 outputs	8 outputs	16 outputs
Output type	Solid State-MOSFET		
Output voltage			
Rated Value			
Permissible Range	24V DC		
Logic 1 signal at maximum current	20.4~28.8V DC		
Logic 0 signal with 10 kohm load	20V DC, minimum 0.1VDC, maximum		
Output Current			
Logic 1 signal			
Number of output groups	0.5A	0.5A	0.5A
Per group mounting	2	2	6
(maximum)	4	8	4/8
Number of output ON	8	16	32
(maximum)	2A	4A	2/4A
Maximum current per group	5W	5W	5W
Lamp load	0.3 ohm	0.3ohm	0.3ohm
contact resistance	10μA, maximum	10μA,maximum	10μA,maximum
Leakage current per point	8A , 100ms	8A , 100ms	8A , 100ms
Surge current			
Isolation	500V AC for 1 minute		
In group of	4 points	4 points	4/4/8 points
Output Delay			
Off to On	50 μs, maximum		
On to Off	200 μs, maximum		
Cable Length			
Unshielded	150 m		
Shielded	500 m		

Dimenzije

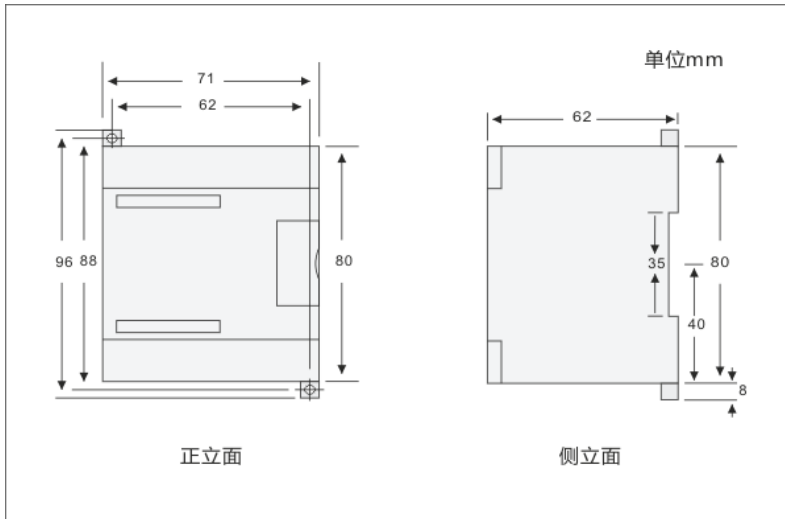
1. CTS7 223-1BF32



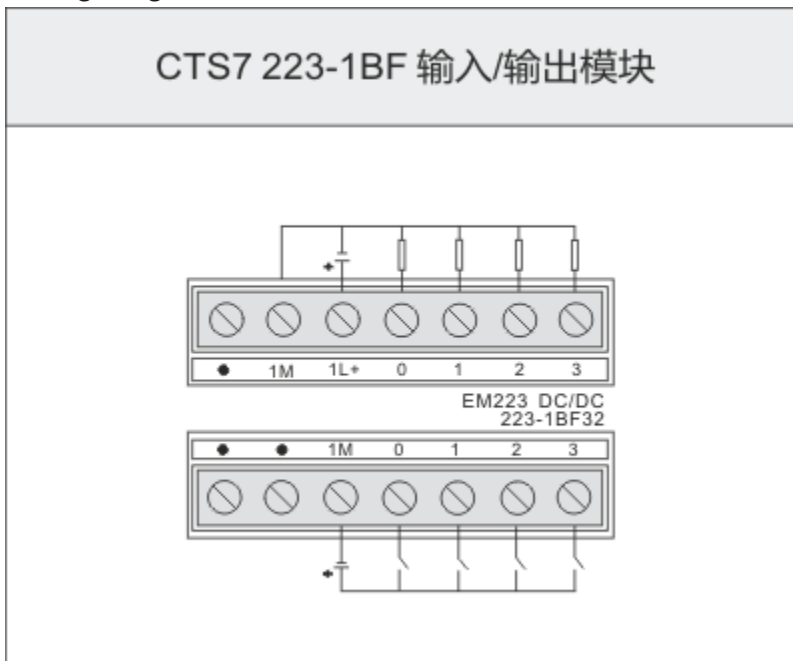
2. CTS7 223-1BH32



3. CTS7 223-1BL32

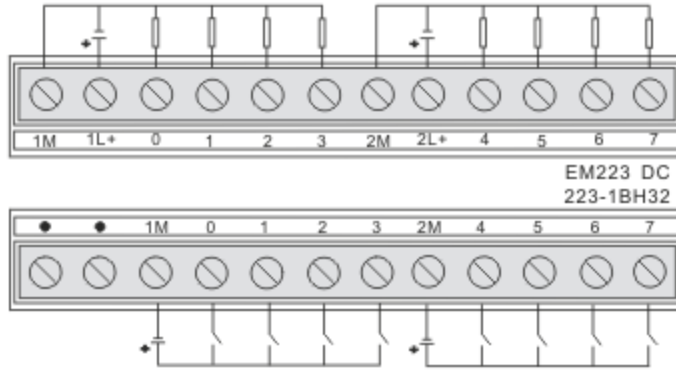


Wiring Diagram



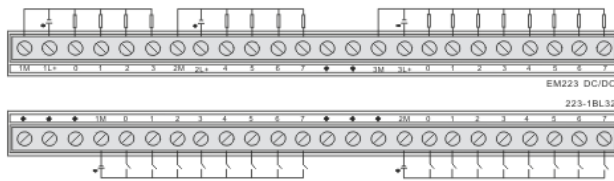
2.

CTS7 223-1BH 输入/输出模块



3.

CTS7 223-1BL 输入输出模块



4.

5.