

Tehničke specifikacije

Order No.	CTS7 231-7ND32	
Power	0.8W	
Power Consumption		
+5VDC Power loss	0.12W	
L+	37mA	
L+Coil voltage range	20.4 - 28.8VDC	
LED indicator	24VDC Power supply indicator: ON = no fault, OFF = no power ; SF indicator , ON=module fault, Blink=input signal error, OFF=normal;	
Input sign		
RTD/PTC/NTC input range	RTD type (choose one) : Pt-100 (3850PPm,3920PPm,3850.55PPm,3916PPm,3902PPm) NTC(R25=10K B=3950, 25=10K B=3435)	
Voltage input	-5V---5V,-10V---10V,0V---5V,0V---10V	
Current input	0---20mA	
Input number	2PT100/2NTC和2AI	
Isolation		
Field side to logical circuit	500VAC	
Field side to 24VDC	500VAC	
24VDC to logical circuit	500VAC	
Common mode input range (input channel to input channel)	0	
Common mode rejection	>120dB@120VAC	
Sample Features		
Temperature resolution	0.1°C/0.1°F	
Voltage resolution	15bit+sign bit	
Measuring principle	Sigma-Delta	

Module update time (all channel)	425ms
Wire length to sensor	Max. 100m
Wire loop resistance	20Ω
Noise suppression	85db@50Hz/60Hz/400Hz
Data format	Voltage : - 32000 to + 32000
Input impedance	>10MΩ
Max.voltage input	30VDC , 5VDC
Resolution	15bit+sign bit
Input filter attenuation	- 3db@21KHz
Error	0.05%Fs (resistance)
Repeatability	0.1%Fs

Input type	SW1	SW2	SW3	SW4	SW5
100 pt0.003850(Default)	0	0	0	-	-
100Ω pt0.003920	0	0	1	-	-
100Ω pt0.00385055	0	1	0	-	-
100Ω pt0.003916	0	1	1	-	-
100Ω pt0.003902	1	0	0	-	-
NTC R25=10K, B=3950	1	0	1	-	-
NTC R25=10K, B=3435	1	1	0	-	-
备用	1	1	1	-	-
0—5V	-	-	-	0	0
0—20MA	-	-	-	0	0
0—10V	-	-	-	0	1
-10V—10V	-	-	-	1	0
-5V—5V	-	-	-	1	1

Order No.	CTS7 231-7NF32
Dimension (WxHxD)	120.5 x 80 x 62
Power Consumption	1.8W
Power loss	
+5VDC Power loss	60mA
L+	32.5mA
L+oil voltage range	20.4-28.8VDC
LED indicator	
+24VDC indicator	ON = no fault, OFF = no power , all date of channel 32766
SF indicator	Blink=input signal error, OFF=normal;

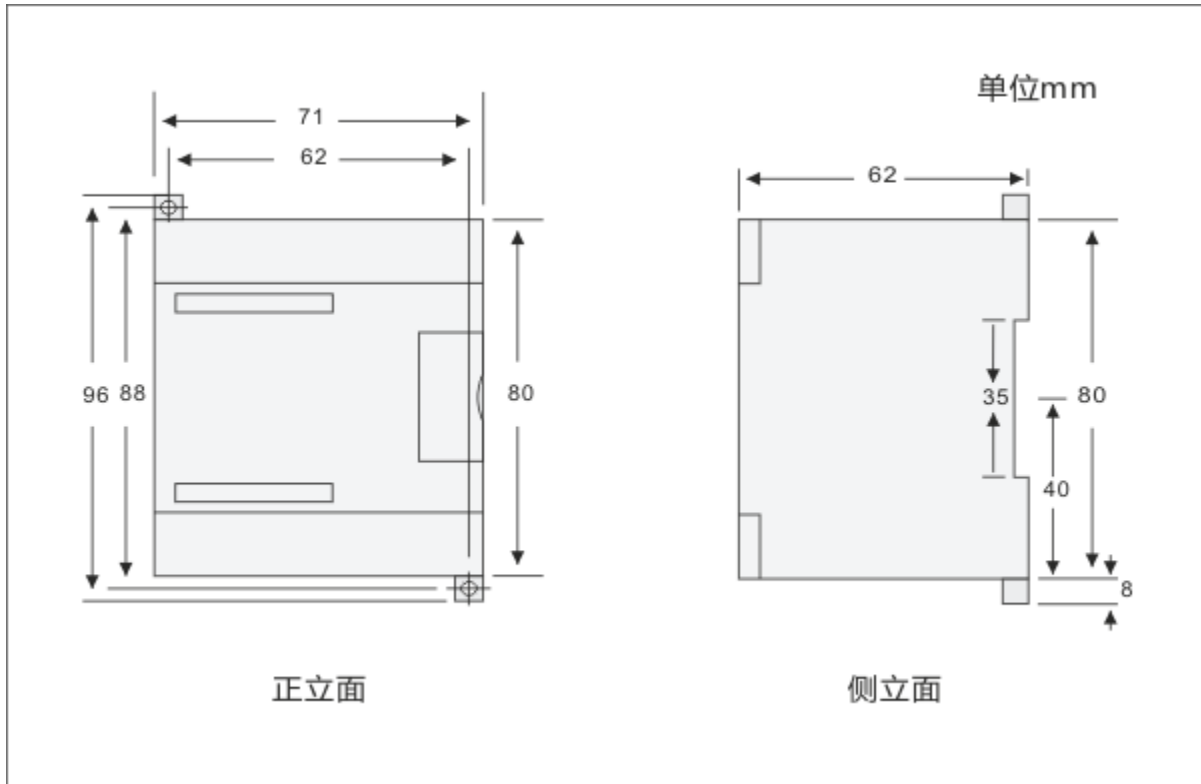
Input sign	Pt100 : $\alpha=3850\text{PPm}/3920\text{PPM}/3850.55\text{PPM}/3916\text{PPM}/3902\text{PM}$ NTC : R25=10k/B=3950或R25=10k/B=3435
Temperature measurement rang	Pt100 : -50°C ~ 800°C NTC (R25=10k/B=3950) : -40 ~ 120°C NTC (R25=10k/B=3435) : -40 ~ 150°C
Input number	8PT100/8NTC
Isolation	
Field side to logical circuit	500VAC
Field side to 24VDC	500VAC
24VDC to logical circuit	500VAC
Noise suppression	85dB@50/400 Hz
Common mode rejection	120dB@120VAC
Resolution	0.1 °C / 0.1 °F
Measuring accuracy	±0.3°C
Measuring principle	SIGMA-DELTA
Length of cable max	100 m
Wire loop resistance max	20Ω
Update time	825 ms
Disconnection detection	Pt100 detect 3 wires (NTC detect 2 wires) , detection time is no more than 3 minutes

Input type	SW1	SW2	SW3
100Ω Pt 0.003850 (default)	0	0	0
100Ω Pt 0.003920	0	0	1
100Ω Pt 0.00385055	0	1	0
100Ω Pt 0.003916	0	1	1
100Ω Pt 0.00302	1	0	0
NTC R25=10K/B=3950	1	0	1
NTC R25=10K/B=3435	1	1	0
Forbid	1	1	1

VWxx	Channel 0	Channel 1	Channel 2	Channel 3	Channel 4	Channel 5	Channel 6	Channel 7
Slot 0	VW0	VW2	VW4	VW6	VW8	VW10	VW12	VW14
Slot 1	VW64	VW66	VW68	VW70	VW72	VW74	VW76	VW78
Slot 2	VW128	VW130	VW132	VW134	VW136	VW138	VW140	VW142
Slot 3	VW192	VW194	VW196	VW198	VW200	VW202	VW204	VW206

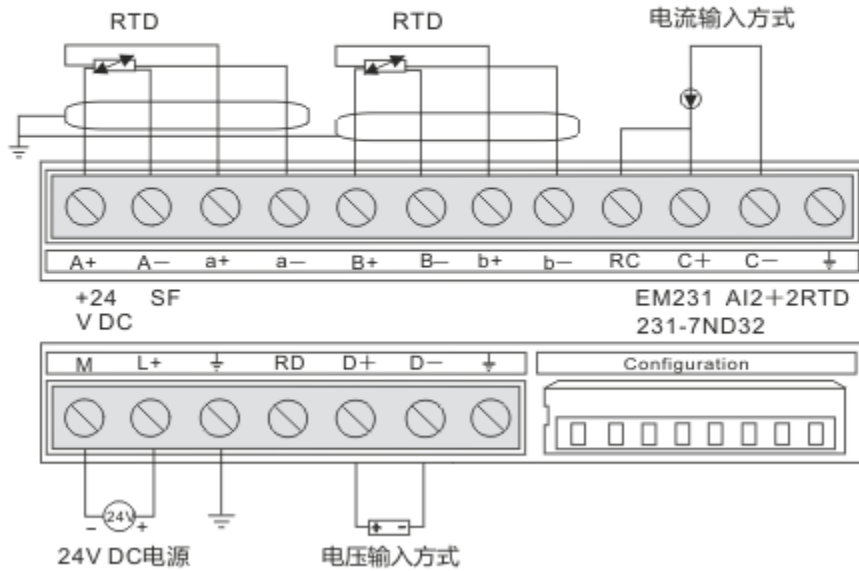
Slot 4	VW256	VW258	VW260	VW262	VW264	VW266	VW268	VW270
Slot 5	VW320	VW322	VW324	VW326	VW328	VW330	VW332	VW334
Slot 6	VW384	VW386	VW388	VW390	VW392	VW394	VW396	VW398

Dimenzije



Šema povezivanja

CTS7 231-7ND32



CTS7 231-7NF32 NTC

