

Tehničke specifikacije

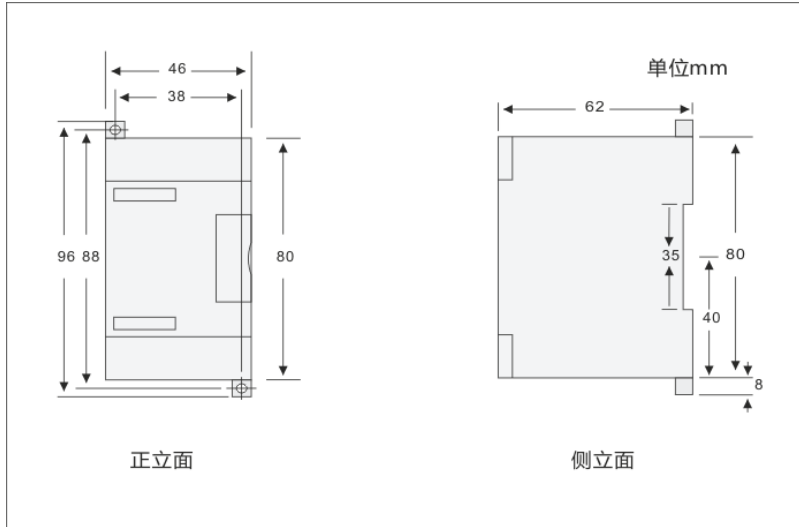
Performance Parameters

Specification	EM232, 2AQ×12BIT	EM232, 4AQ×12BIT
Physical Features		
Dimensions(W×H×D)	46×80×62mm	71.2×80×62mm
Power Loss(dissipation)	2W	2W
Power Consumption		
From +5V(from I/O bus)	20 mA	
From L+	60 mA	
L+ voltage range,class 2 or DC sensor supply	20.4 ~ 28.8V DC	
LED indicator	24 VDC Power Supply Good ON = no fault, OFF = no 24 VDC power	
Analog Output Features		
Number of analog output points	2	4
Isolation (field side to logic circuit)	Optical isolated: 500VAC, 1 minute	
Signal range		
Voltage output	±10V	
Current output	0 ~ 20mA	
Resolution, full-scale		
Voltage output	12BIT	
Current output	11BIT	
Data word format		
Voltage output	-32000~ +32000	
Current output	0~32000	
Accuracy	typical: ±0.5% of full scale; Worse: ±2% of full scale	
Setting time		

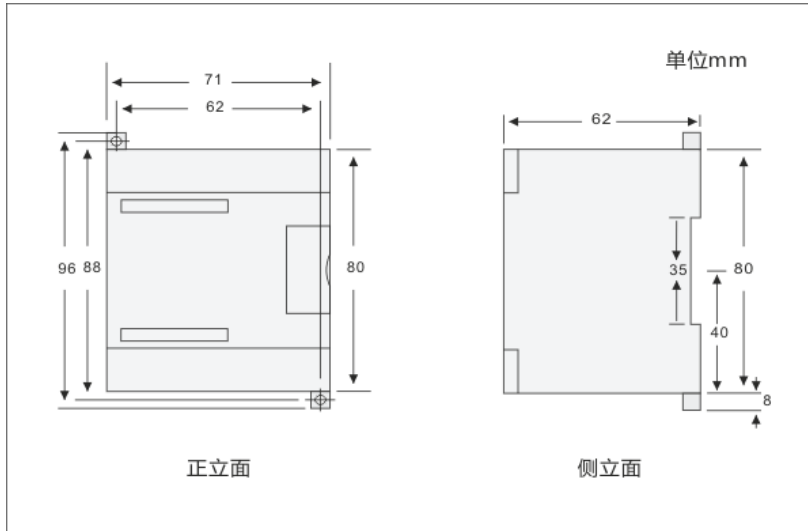
Voltage output	100 μ s
Current output	2ms
Maximum drive@24VDC power	
Voltage output	5000 ohm, minimum
Current output	500 ohm, maximum

Dimenzije

1.CTS7 232-0HB32

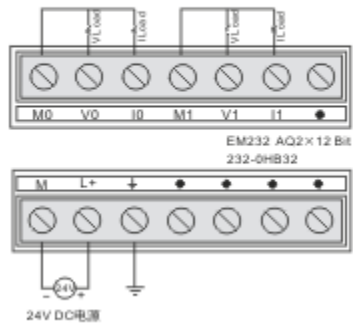


2.CTS7 232-0HF32



Šema spajanja

CTS7 232-0HB32



CTS7 232-0HF32

